



Acoustic Panels
Classic Series

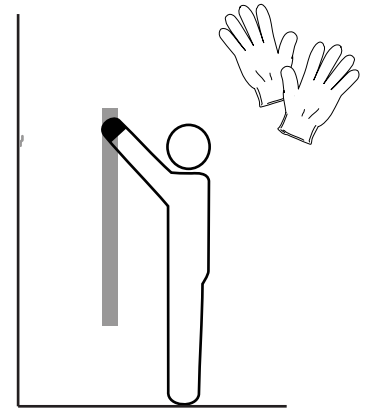
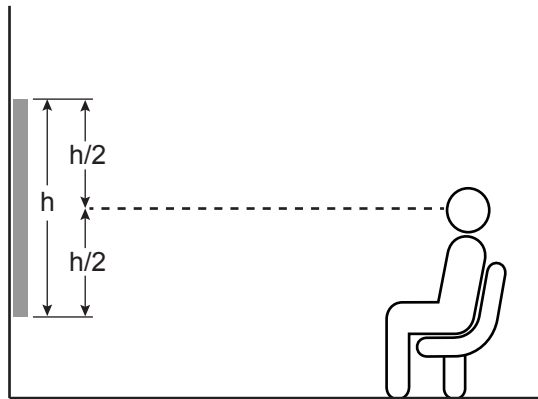
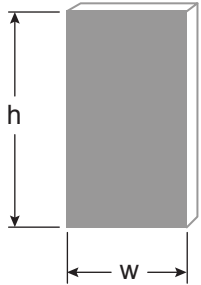


Installation Manual

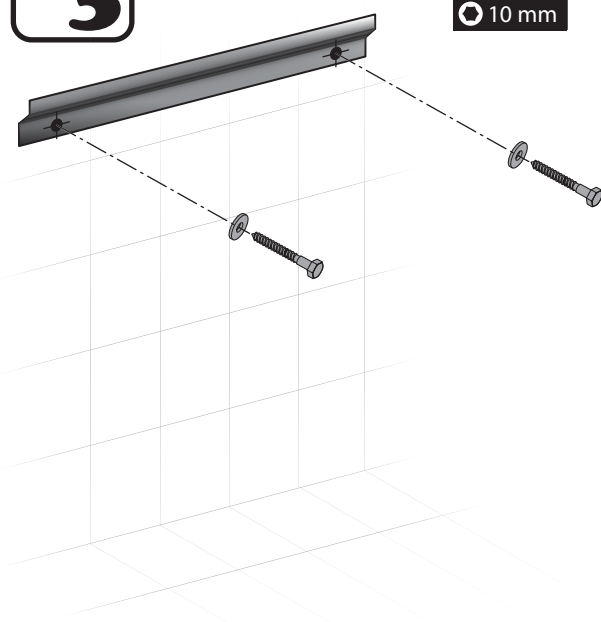
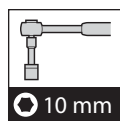
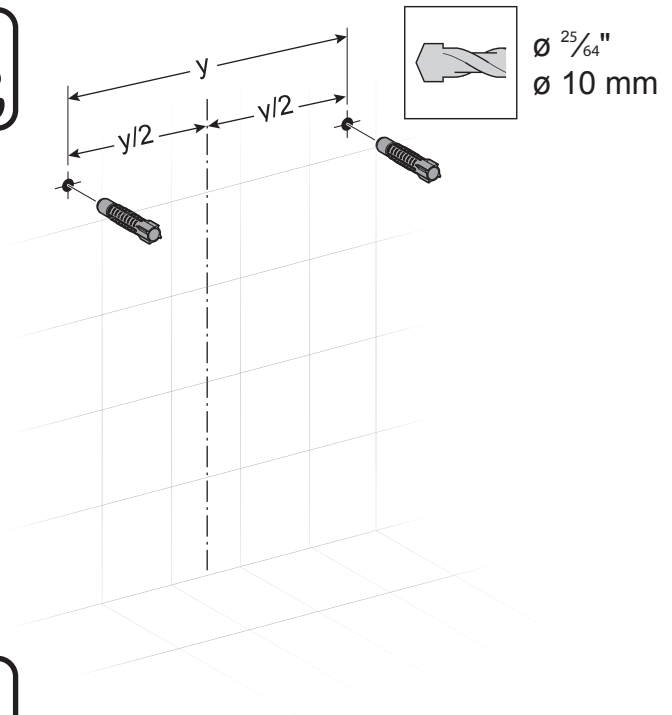
Montageanleitung
Manuel d'installation

Acoustic Panels

Classic Series



W (cm)	y (cm)
34	20
64	50
104	90



Acoustic Panels

Classic Series

Installation Manual



RW Acoustics
Miren 5/i, 5291 Miren, Slovenia
Tel: +386 (0)31 719 368
E-mail: info@rwacoustics.com
Web: www.rwacoustics.com